



ACTIMO® XXL

High-Comfort Seat with
Extra Wide Pneumatic Suspension



TECHNICAL DATA

ACTIMO® XXL

Thanks to its extra-wide pneumatic suspension, the Actimo XXL is ideal for installing large, heavy multifunction armrests. The low-frequency suspension delivers outstanding comfort, being designed to attenuate the vibrations that typically occur in large construction machines. An automatic positioning system and adjustable shock absorber additionally enhance the experience.



Pneumatic suspension



Low-Frequency Suspension



Pneumatic Lumbar Support



Adjustable Shock Absorber



Automatic Positioning System



Automatic Weight Adjustment



Fore/aft Isolator



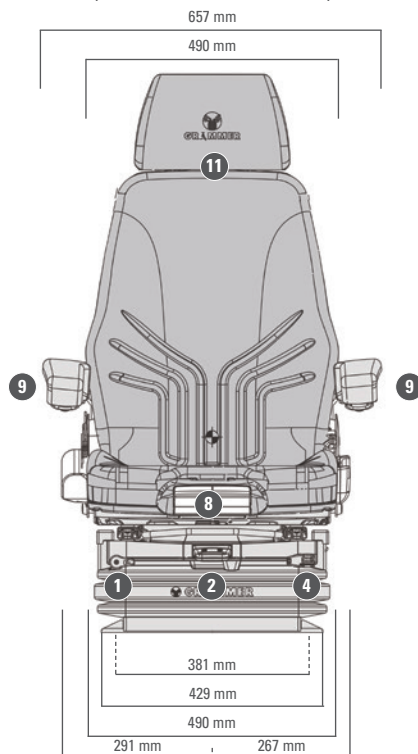
Passive Climate System

Features ● Standard ○ Optional

	ACTIMO® XXL
Article no. fabric	
Compressor 24 V	1294779
APS (Automatic positioning system)	●
① Shock absorber adjustable	●
Suspension	
Pneumatic suspension with compressor	●
Low-frequency suspension	●
extra wide, strengthened construction	●
Suspension stroke 100 mm	●
Weight adjustment 50 - 130 kg, automatic	●
② Height adjustment 80 mm infinite (air-assisted)	●
Climate system passiv	●
③ Fore/aft adjustment 170 mm	●
④ Fore/aft isolator lockable	●
⑤ Lumbar support pneumatic	●

	ACTIMO® XXL
⑥ Adjustable backrest angle	●
Seat cushion width	490 mm
⑦ Seat heating	●
⑧ Adjustable seat cushion depth and angle	●
OPTIONAL FEATURES	
⑨ Armrests, height-adjustable and foldable	○
65 mm x 270 mm	○
80 mm x 320 mm, adjustable angle	○
80 mm x 380 mm, adjustable angle	○
⑩ Document box	○
⑪ Headrest	○
⑫ Restraint system	○
Lateral suspension	○
Operator presence switch (OPS)	○
Control carrier consoles	○

Measurements (installation dimensions)



All dimensions in mm.
Subject to technical changes.

